



# AEROBIC TREATMENT SYSTEMS

## HOOT Aerobic Systems, Inc.

®

2885 Highway 14 East Lake Charles, Louisiana 70607  
(337) 474-2804 phone (337) 477-7904 fax

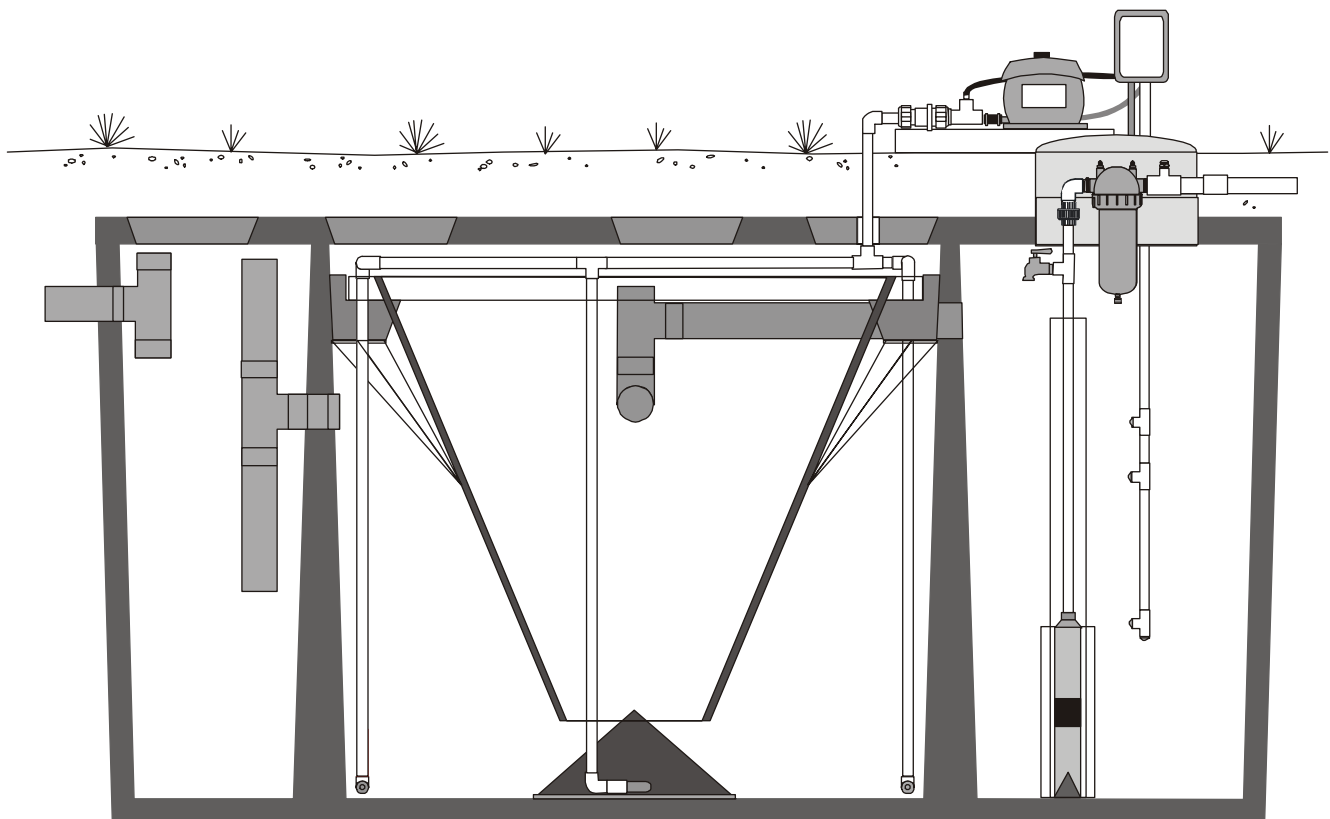
# Florida Engineering Drawings

**H-500 A H-500 AND, H-600 A, H-600 AND H-1000 A H-1000 AND**

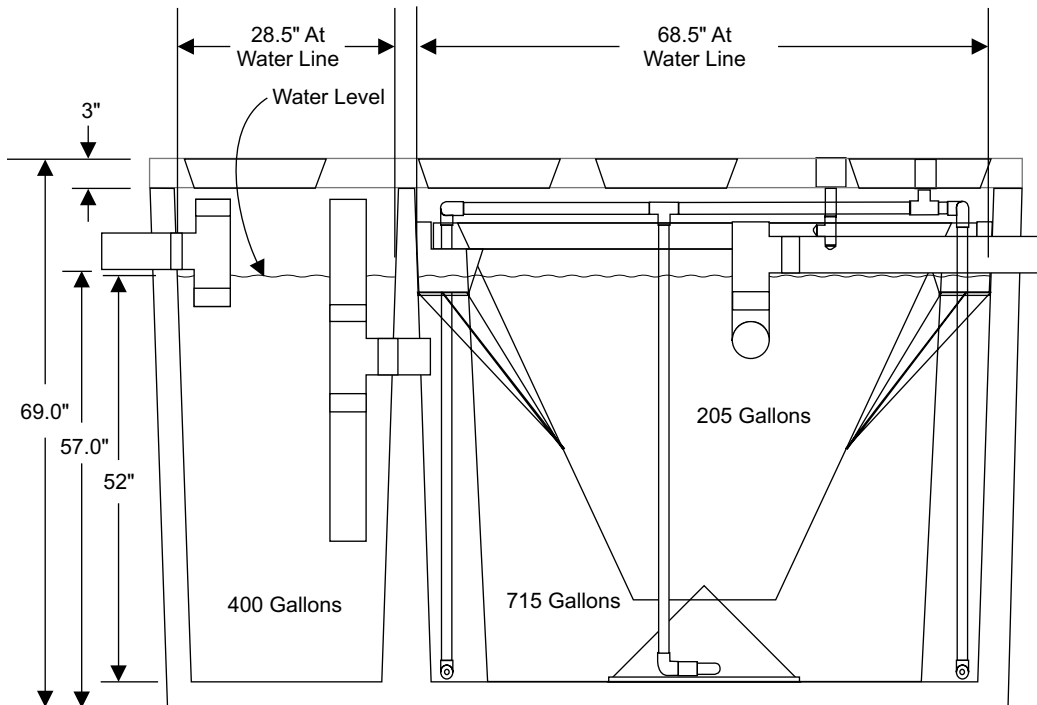
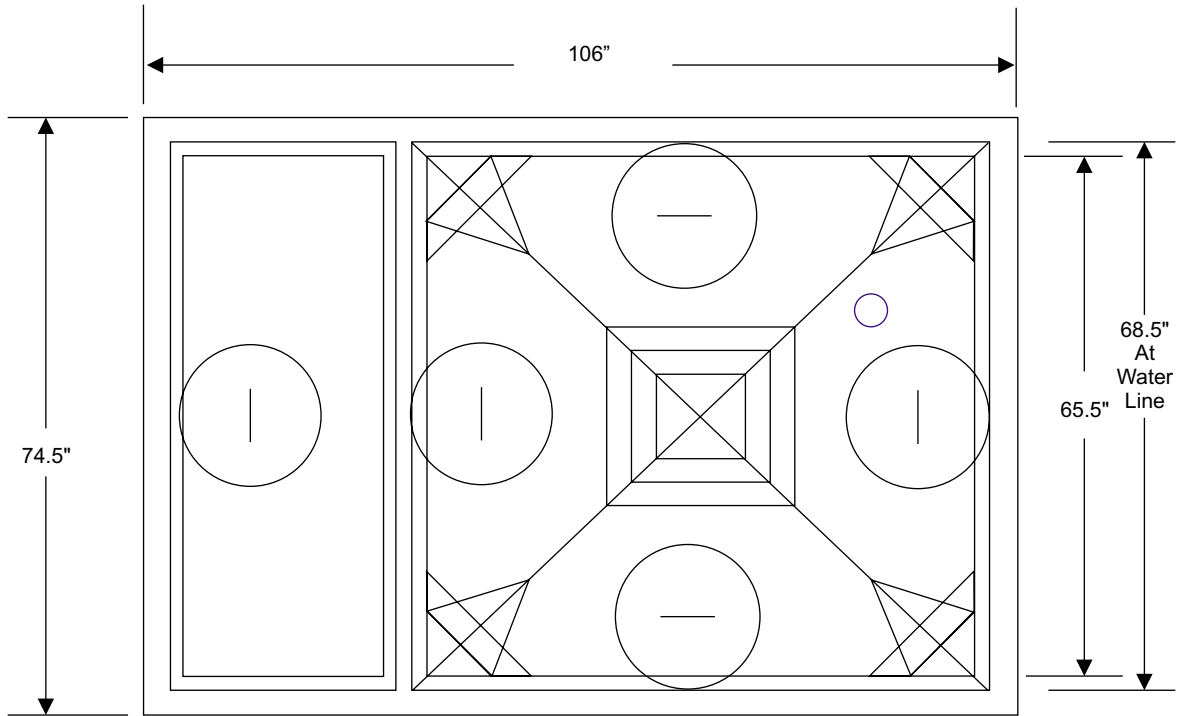
(Please Note: Every attempt has been made to make the following drawings to scale, however, some components may have been exaggerated in order to show detail. All systems with pump tanks have a minimum of 1/3 of a days flow as reserve above the alarm on point, and below the inlet to the tank.)



**This Product has been certified in accordance with the criteria set forth in the ANSI/NSF Standard 40 and is hereby certified as a Class I Aerobic Wastewater Treatment Plant.**

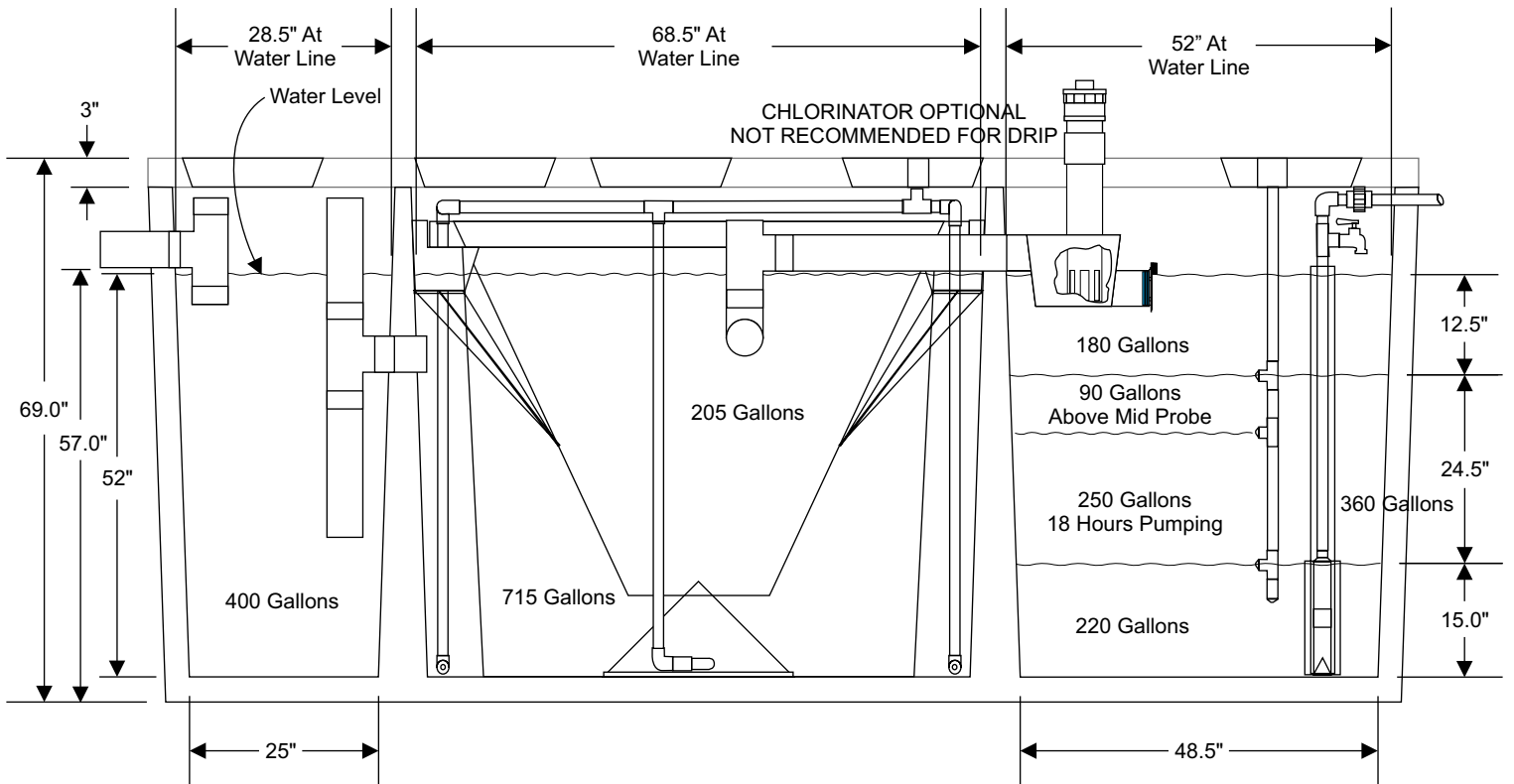
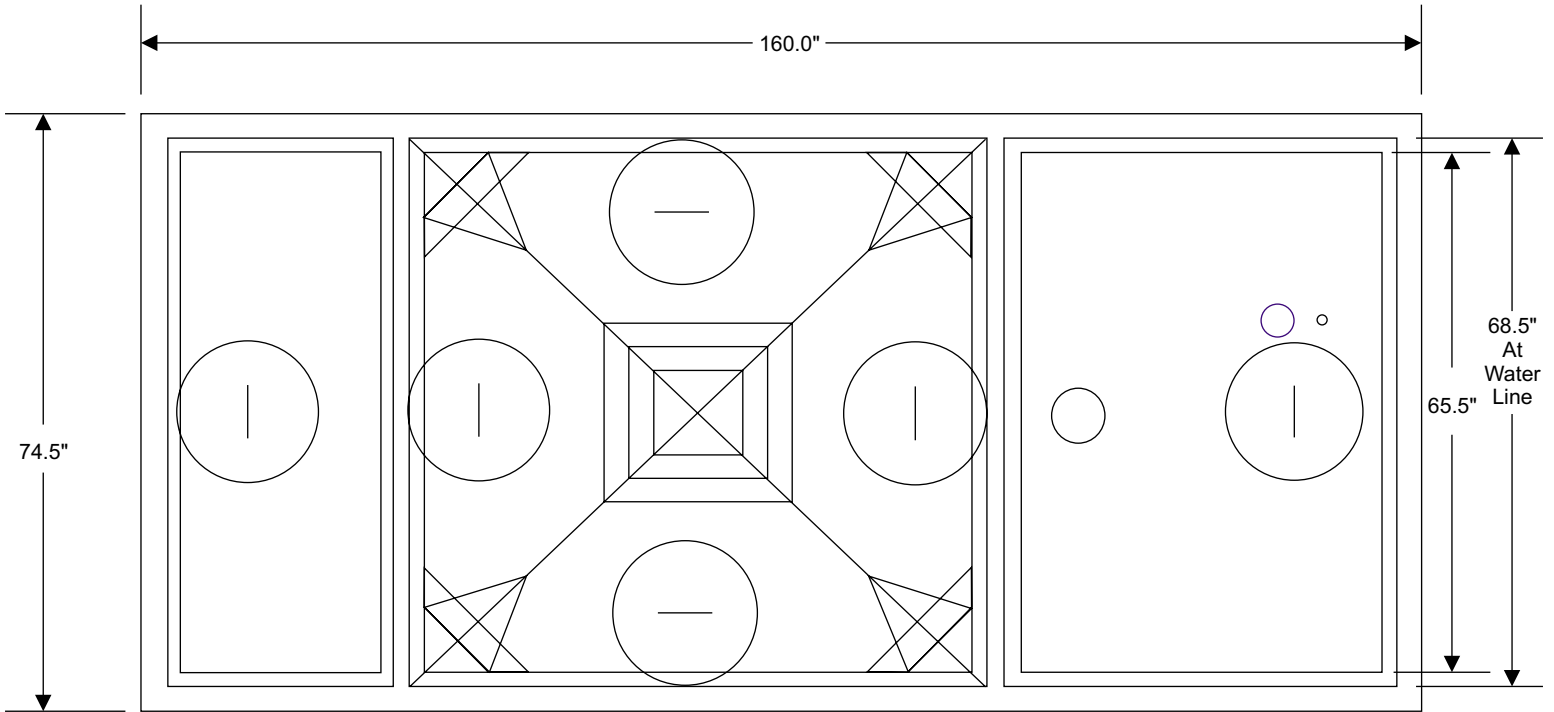


# 500 GPD GRAVITY DISCHARGE SYSTEM H-500 A



2.229' Avg. Length  
5.600' Avg. Width  
4.333' Depth

# 500 GPD DRIP SYSTEM H-500 AND



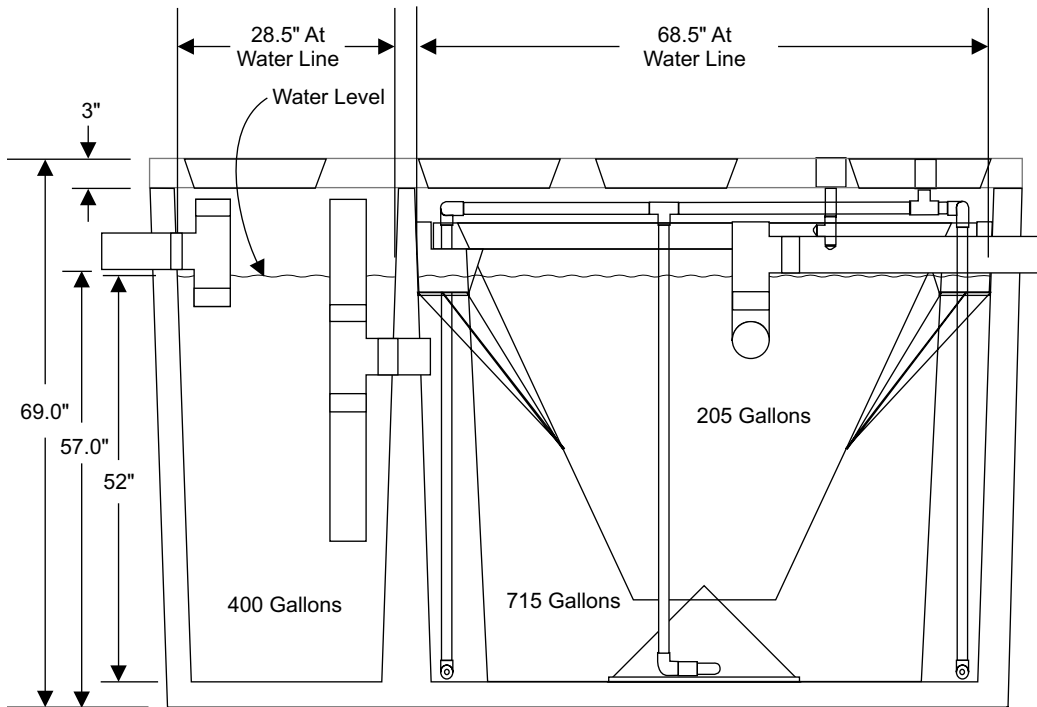
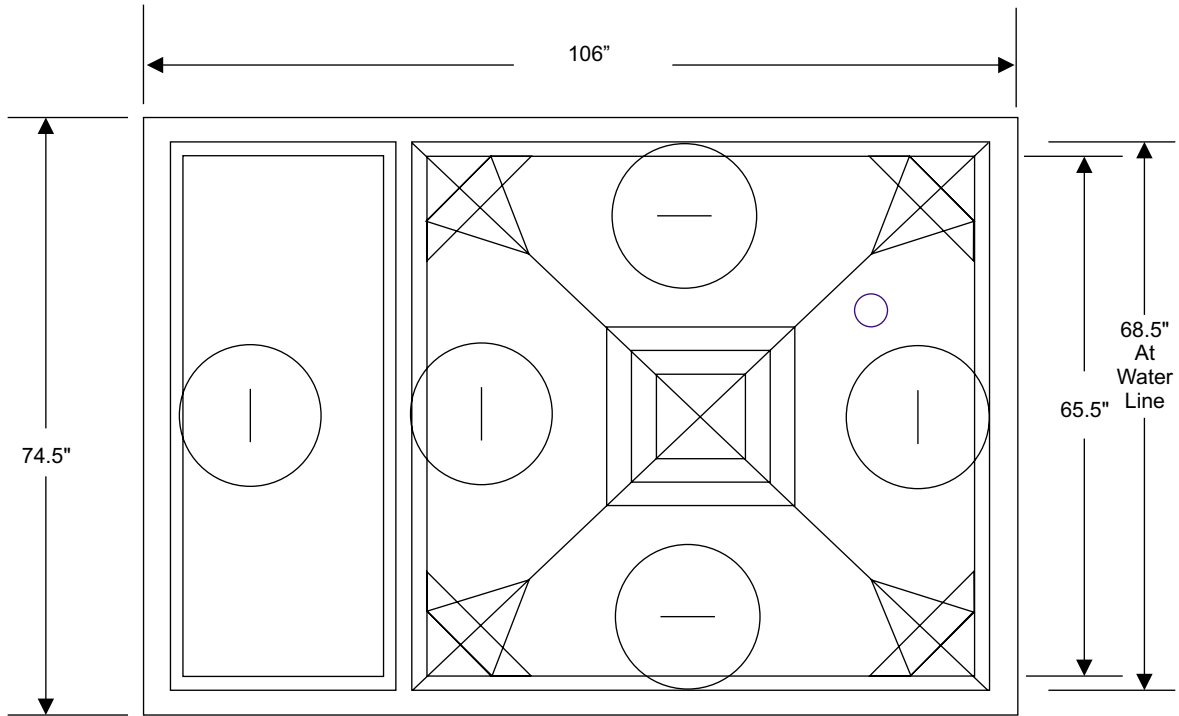
2.229' Avg. Length  
5.600' Avg. Width  
4.333' Depth

4.187' Avg. Length  
5.600' Avg. Width  
4.333' Depth

760 Gallons  
220 Gallons Remaining In Tank

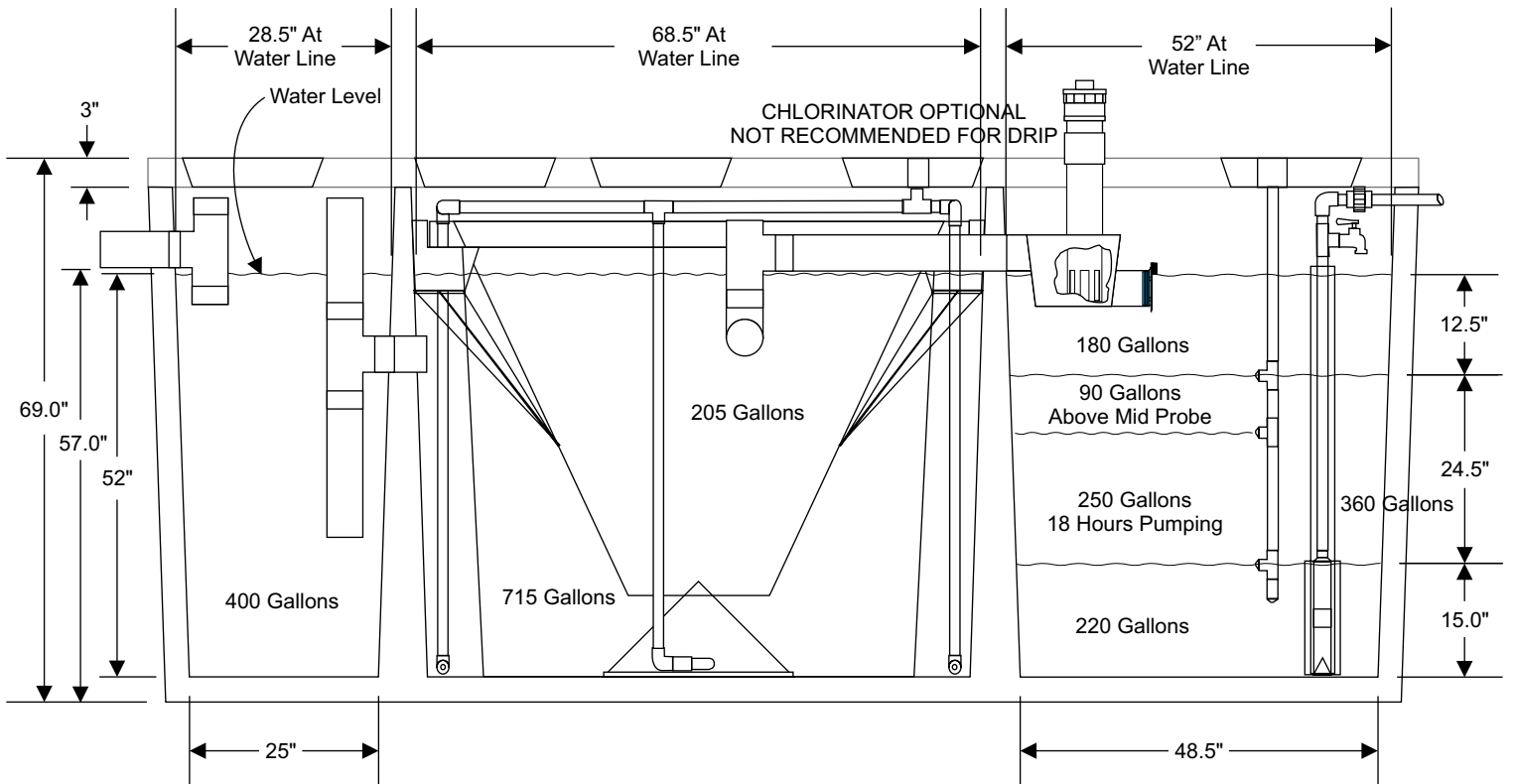
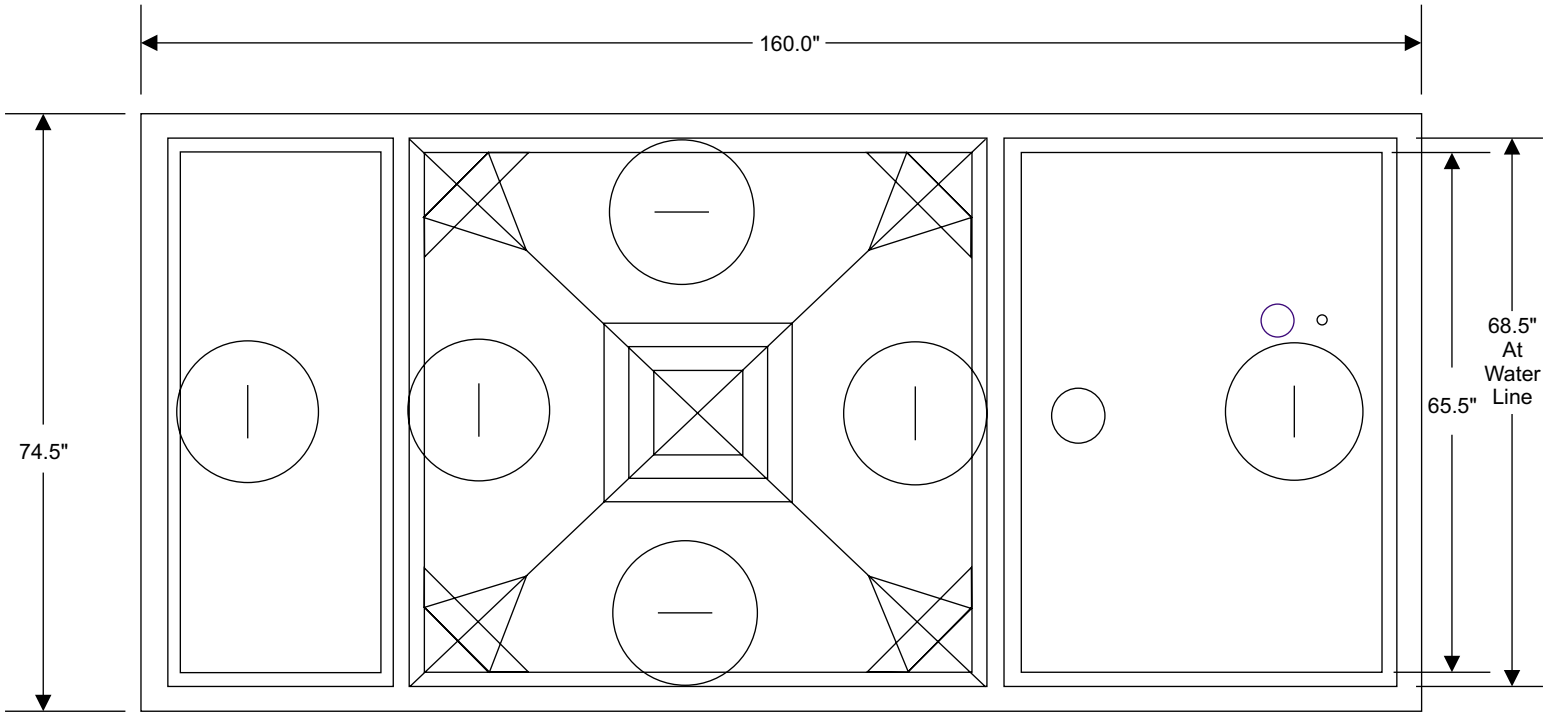
540 Gallons Holding Capacity

# 600 GPD GRAVITY DISCHARGE SYSTEM H-600 A



2.229' Avg. Length  
5.600' Avg. Width  
4.333' Depth

# 600 GPD DRIP SYSTEM H-600 AND



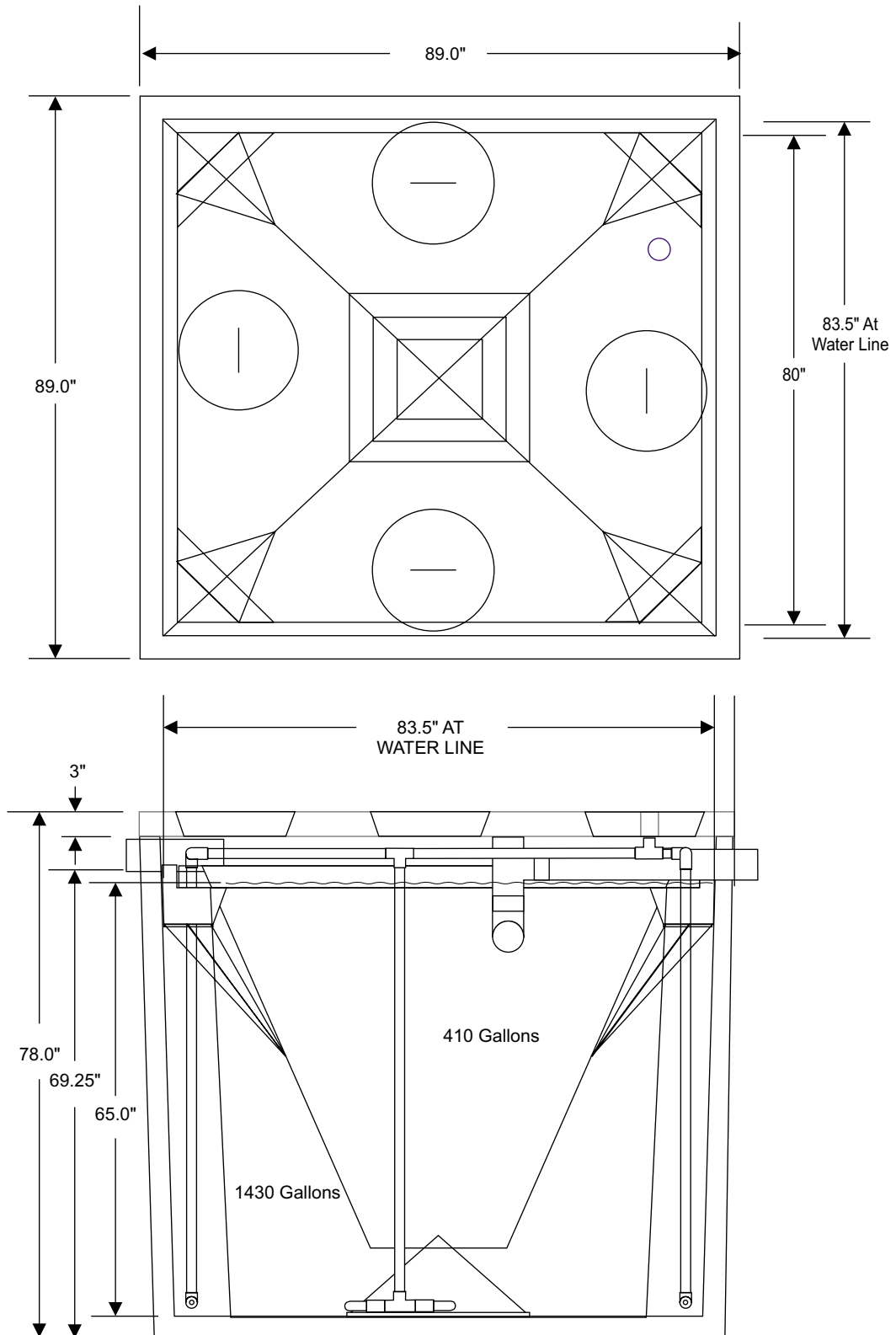
2.229' Avg. Length  
5.600' Avg. Width  
4.333' Depth

4.187' Avg. Length  
5.600' Avg. Width  
4.333' Depth

760 Gallons  
220 Gallons Remaining In Tank

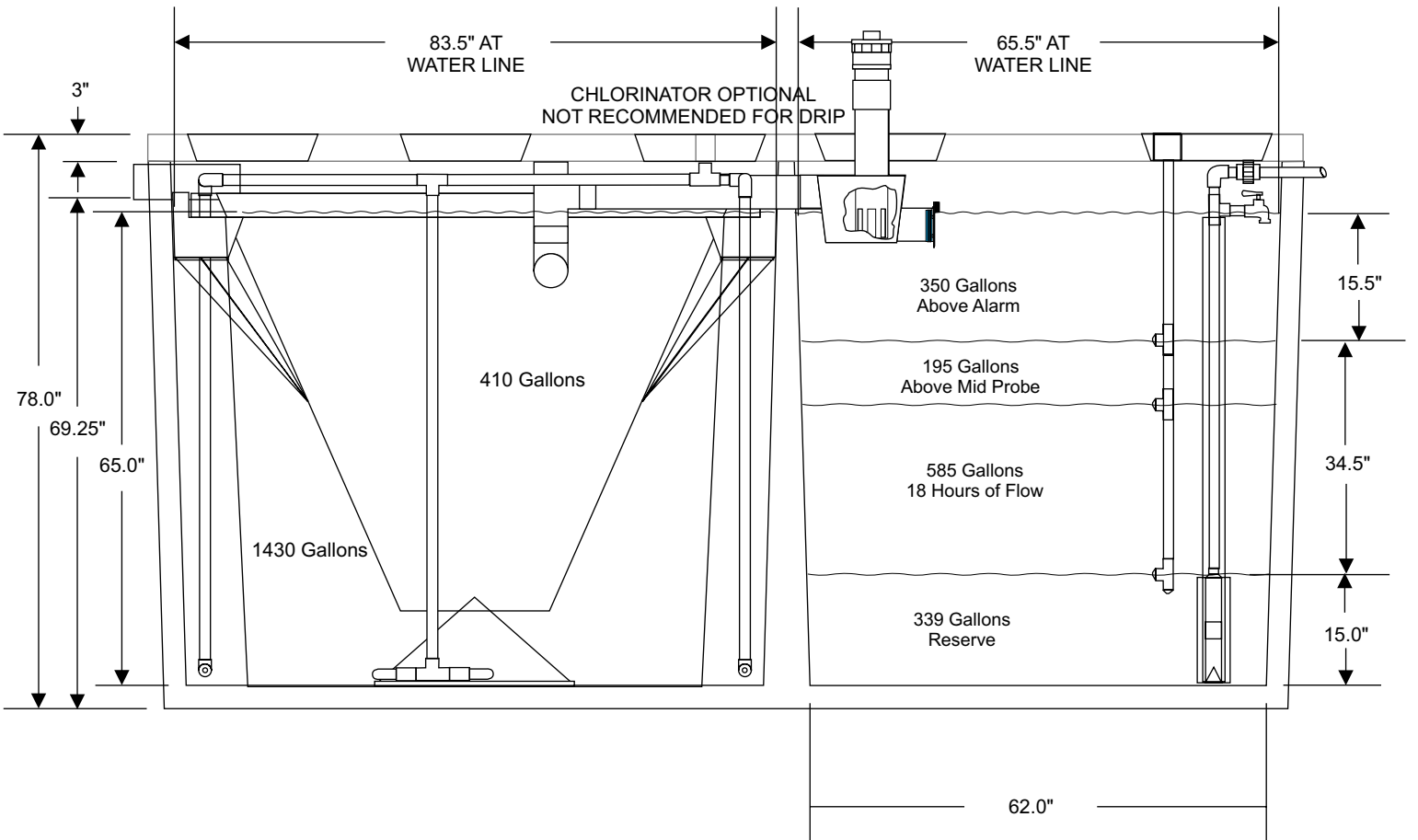
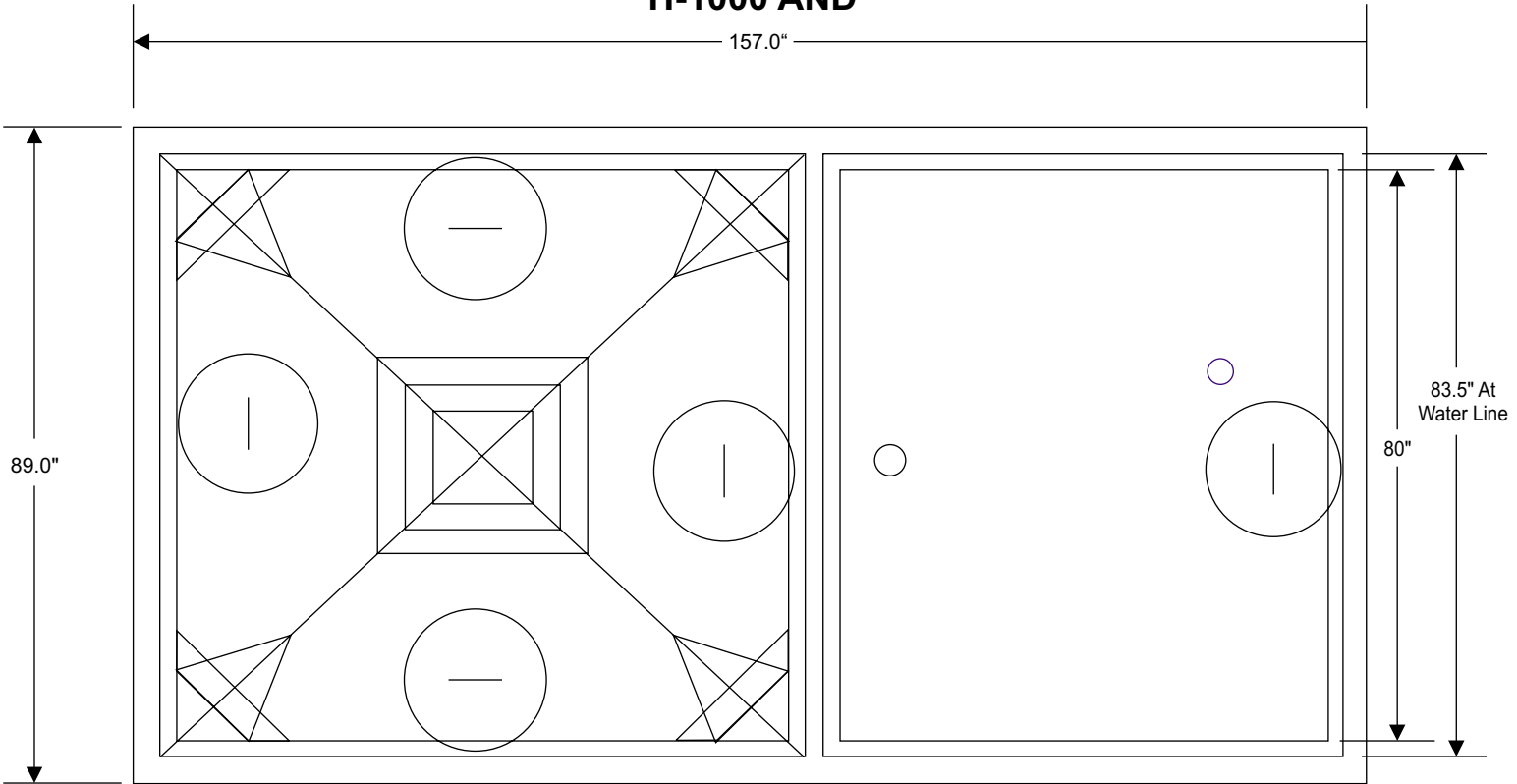
540 Gallons Holding Capacity

# 1000 GPD GRAVITY DISCHARGE SYSTEM H-1000 A



5.312' Avg. Length  
6.812' Avg. Width  
5.416' Depth

# 1000 GPD DRIP SYSTEM H-1000 AND



5.312' Avg. Length  
6.812' Avg. Width  
5.416' Depth

1469 Gallons  
339 Gallons Remaining In Tank

1130 Gallons Pumping Capacity

For Additional Information, Please Contact:



**HOOT Aerobic Systems, Inc.**  
2885 Highway 14 East Lake Charles, LA 70607  
(337) 474-2804 phone (337) 477-7904 fax

[www.hootsystems.com](http://www.hootsystems.com)