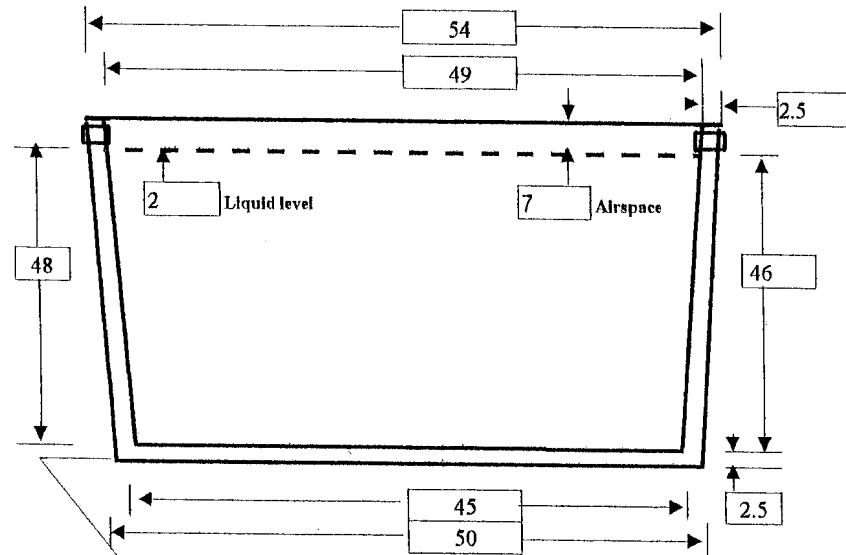
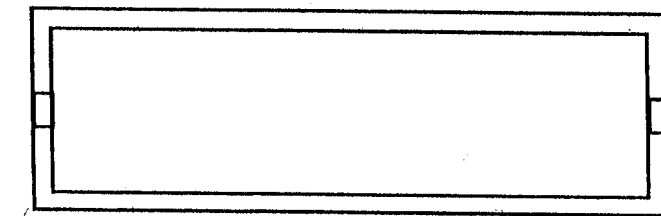


Legend Number: 53-037-908 CAT 4

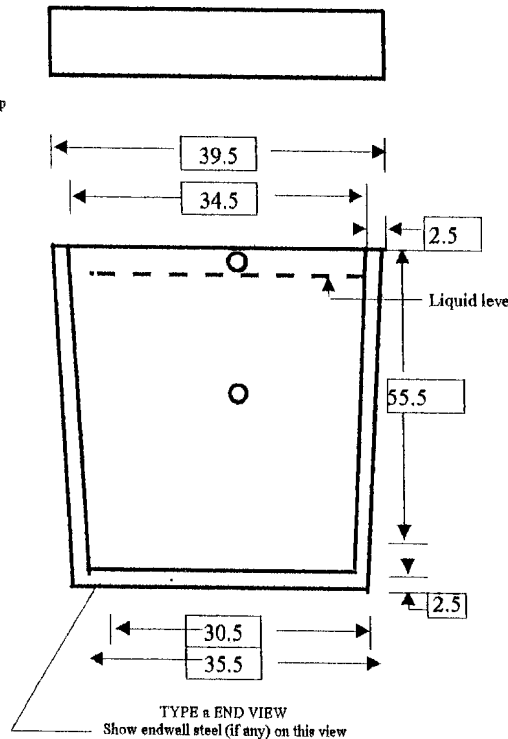
Tank Size(Effective Capacity)	300	gallons
Mix Number	8	
28 Day compressive strength	4000	PSI
Fiber reinforcing (If any)		
Weight	Tank & Lid 2900 Lbs.	
Type of reinforcing	Fiber	
Amount of reinforcing		LBS/CU YD
Airspace	16.9	gallons = 51 effective capacity



ELEVATION VIEW Show sidewall steel (if any) on this view



PLAN VIEW Show bottom steel (if any) on this view



TYPE A END VIEW Show endwall steel (if any) on this view

Company: Averett Septic Tank Co., Inc.
 Phone Number: (863)665-1748
 FAX Number: (863)667-1748