

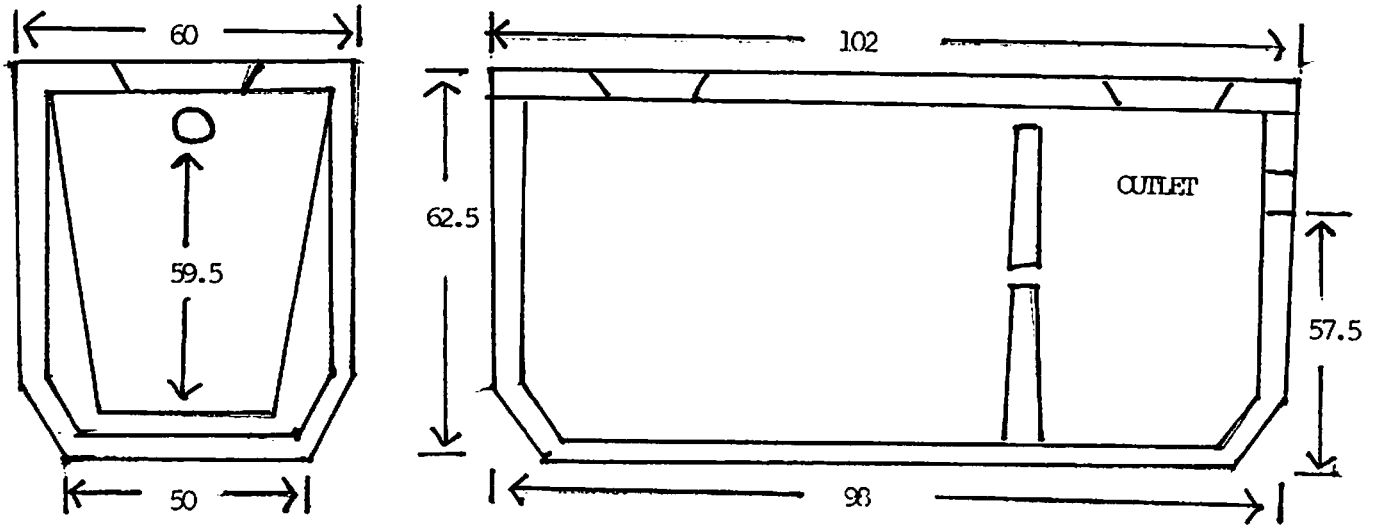
**AVERETT SEPTIC TANK CO. INC.**

**1-863-665-1748**

**2.5" WALL**

**1050V GAL TANK CAT. 3**

**LEGEND # 53-037-10D**



**TANK INFORMATION:** 1050V DUAL COMPARTMENT TANK CAT 3,  
CONSTRUCTED WITH FIBER REINFORCED CONCRETE AT A MINIMUM  
OF 4000 PSI WITH 2.5" WALLS AND BOTTOM.

**LIDS:** 3" LID WITH 2-18" SQUARE OPENINGS  
8" LID WITH 2-18" SQUARE OPENINGS

**WEIGHT:** REGULAR TANK & LID = 7,750 LBS  
REGULAR TANK & HEAVY DUTY LID = 10,090 LBS

THIS TREATMENT RECEPTACLE IS ENGINEERED AND TESTED BY THE  
DEPT. OF HEALTH IN ACCORDANCE WITH CHAPTER 64E-6.013, OF THE  
FLORIDA ADMINISTRATIVE CODE (FAC) DATED MARCH 22, 2000.

**DRAWING NOT TO SCALE**