

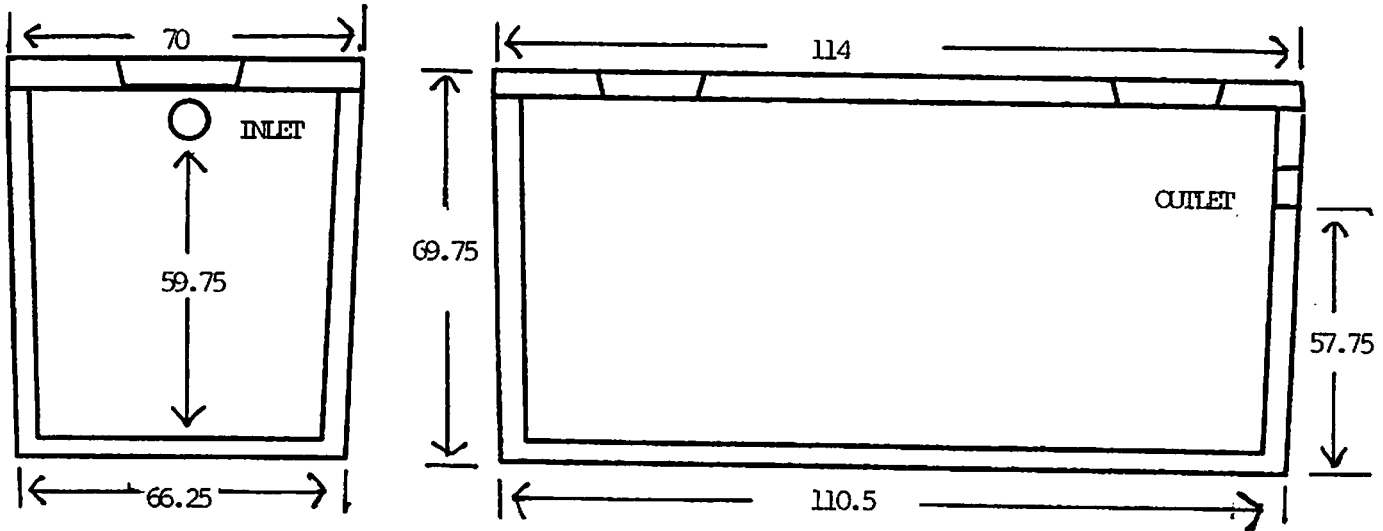
**AVERETT SEPTIC TANK CO. INC.**

**1-863-665-1748**

**6.0" WALL**

**1250 GAL TANK CAT. 4**

**LEGEND # 53-037-12S**



**TANK INFORMATION:** 1250 SINGLE COMPARTMENT TANK CAT 4, WITH 6.0" WALLS AND BOTTOM, CONSTRUCTED WITH STEEL AND FIBER REINFORCED CONCRETE AT A MINIMUM OF 4500 PSI.

**LIDS:** 8" LID WITH 2-24" OCTOGON OPENINGS

**WEIGHT:** CAT 4 TANK = 13,480 LBS  
CAT 4-8" LID = 5,270 LBS

**INLET & OUTLET:** 4" HOLES

**TANK & LIDS:** PLEASE ALLOW 3 WEEKS FOR MANUFACTURE. TANK REQUIRES 28 DAYS TO CURE.

THIS TREATMENT RECEPTACLE IS ENGINEERED AND TESTED BY THE DEPT. OF HEALTH IN ACCORDANCE WITH CHAPTER 64E-6.013, OF THE FLORIDA ADMINISTRATIVE CODE (FAC) DATED MARCH 22, 2000.

**DRAWING NOT TO SCALE**