

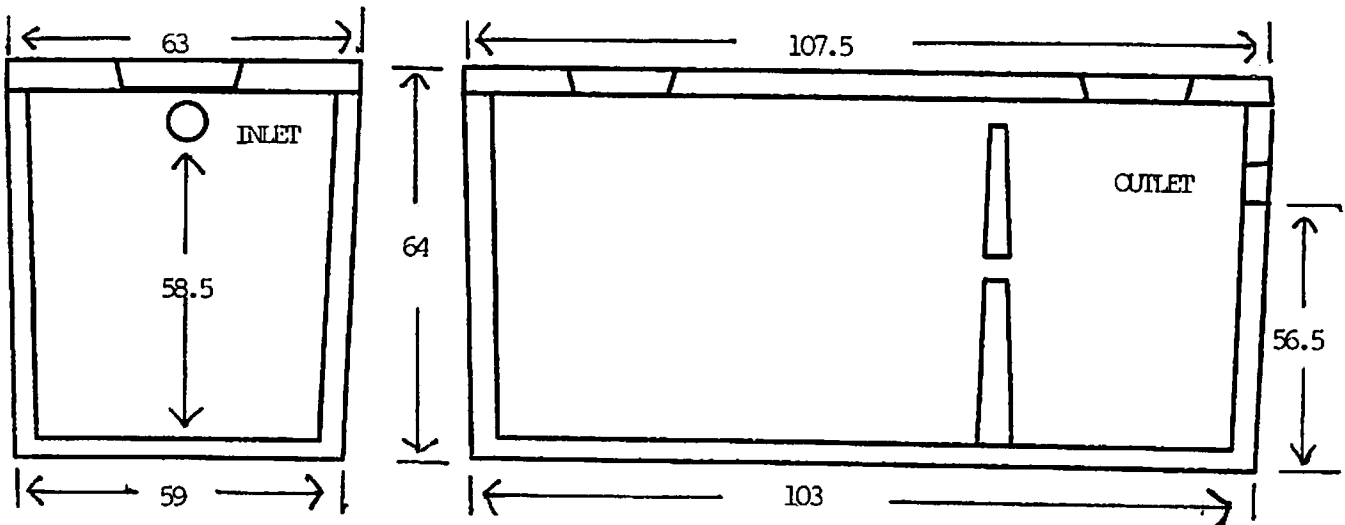
**AVERETT SEPTIC TANK CO. INC.**

**1-863-665-1748**

**2.5" WALL**

**1200 GAL TANK CAT. 4**

**LEGEND # 53-037-13D**



**TANK INFORMATION:** 1200 DUAL COMPARTMENT TANK CAT 4,  
CONSTRUCTED WITH FIBER REINFORCED CONCRETE AT A MINIMUM  
OF 4000 PSI WITH 2.5" WALLS AND BOTTOM.

**LIDS:** 3" LID WITH 2-18" SQUARE OPENINGS  
8" LID WITH 2-18" SQUARE OPENINGS

**WEIGHT:** CAT 4 TANK & HEAVY DUTY LID = 11,650 LBS

THIS TREATMENT RECEPTACLE IS ENGINEERED AND TESTED BY THE  
DEPT. OF HEALTH IN ACCORDANCE WITH CHAPTER 64E-6.013, OF THE  
FLORIDA ADMINISTRATIVE CODE (FAC) DATED MARCH 22, 2000.

**DRAWING NOT TO SCALE**