

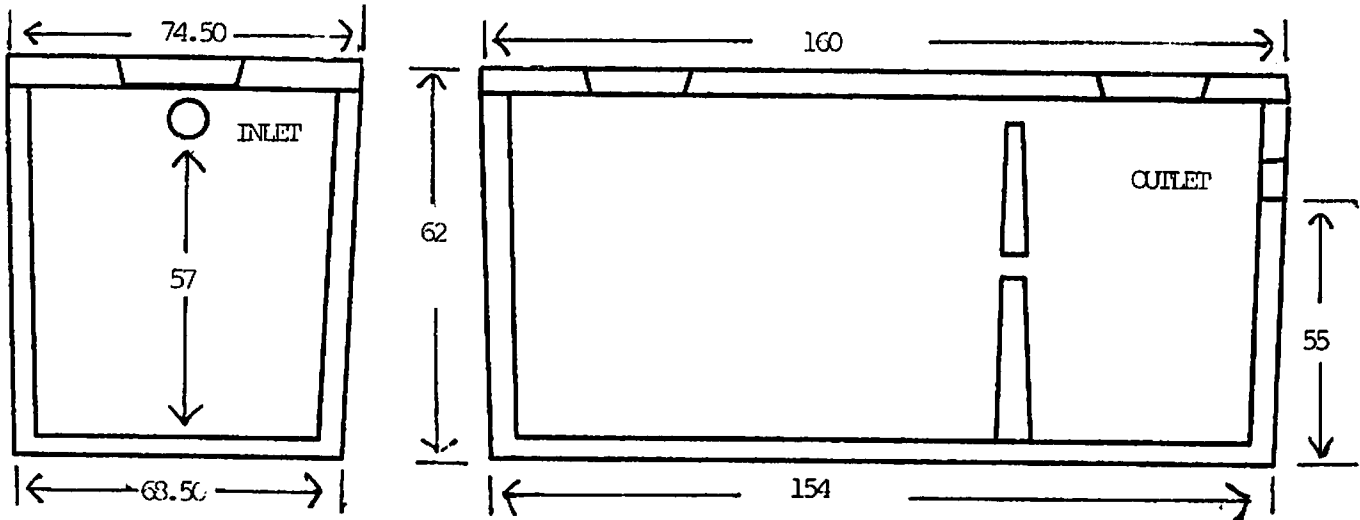
AVERETT SEPTIC TANK CO. INC.

1-863-665-1748

2.5" WALL

2400 GAL TANK CAT. 3

LEGEND # 53-037-24D-C3



TANK INFORMATION: 2400 DUAL COMPARTMENT TANK CAT 3,
CONSTRUCTED WITH FIBER REINFORCED CONCRETE AT A MINIMUM
OF 4000 PSI WITH 2.5" WALLS AND BOTTOM.

LIDS: 3" LID WITH 2-15" SQUARE OPENINGS
8" LID WITH 2-15" SQUARE OPENINGS

WEIGHT: REGULAR TANK & LID = 15,860 LBS
REGULAR TANK & HEAVY DUTY LID = 19,000 LBS

INLET & OUTLET: 4" HOLES

THIS TREATMENT RECEPTACLE IS ENGINEERED AND TESTED BY THE
DEPT. OF HEALTH IN ACCORDANCE WITH CHAPTER 64E-6.013, OF THE
FLORIDA ADMINISTRATIVE CODE (FAC) DATED MARCH 22, 2000.

DRAWING NOT TO SCALE