

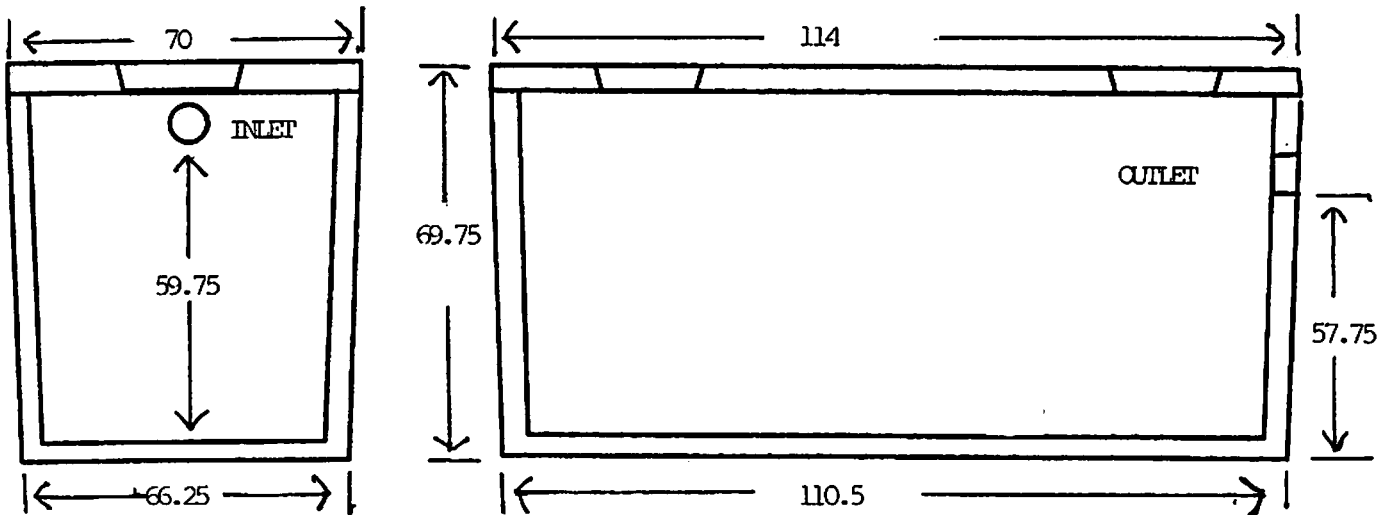
AVERETT SEPTIC TANK CO. INC.

1-863-665-1748

6.0" WALL

1250 GAL TANK CAT. HS-20

LEGEND # 53-037-52S



TANK INFORMATION: 1250 SINGLE COMPARTMENT TANK CAT AASHTO-HS-20 WITH 6.0" WALL AND BOTTOM, CONSTRUCTED WITH STEEL AND FIBER REINFORCED CONCRETE AT A MINIMUM OF 5000 PSI.

LIDS: 8" LID WITH 2-24" OCTOGON OPENINGS

WEIGHT: CAT HS-20 TANK = CONTACT MANUFACTURING
CAT HS-20 8" LID = CONTACT MANUFACTURING

INLET & OUTLET: 4" HOLES

TANK & LID: PLEASE ALLOW 3 WEEKS FOR MANUFACTURE. TANK REQUIRES 28 DAYS TO CURE.

THIS TREATMENT RECEPTACLE IS ENGINEERED AND TESTED BY THE DEPT. OF HEALTH IN ACCORDANCE WITH CHAPTER 64E-6.013, OF THE FLORIDA ADMINISTRATIVE CODE (FAC) DATED MARCH 22, 2000.

DRAWING NOT TO SCALE